

Company Profile

Al Andalus was established in 1995 with a professional staff in the locks industry. Our business is mainly wholesale, although we have our own showrooms, workshops, locksmiths & technicians.

Our products are supplied mainly to retailers, companies, hotels, universities, Schools, banks & others.

Al Andalus provides a complete range of technical services from our expertise to satisfy our customers needs together with after sales service of our products. We maintain the service from the planning of proposal matching hardware with systems, installation, maintenance & consulting system updates.

Our advantages :

- provide high quality products with our quality service to maintain the confidence of our valuable customers.
- Specialist technicians in making master & grand master keys for all types and models of cylinders and locks.
- Supply new buildings with all kinds of ironmongery.

Credentials :

Al Andalus is the sole agent for HONGLG in the Gulf countries & Middle East, The sole agent for QNN safes in the UAE, The sole agent for SECUSTAR Locks and resellers for ANVIZ Biometric Technology, BONCO, EBELCO, DORMA, UNION, YALE, ISEO and JIS.

Al Andalus participates in most of the exhibitions specialized in our business namely The Hotel Show, The Big 5 Show & INTERSEC in Dubai, Qatar, Syria and other countries.

Activities:

Al Andalus provides Hi-Tech products and turnkey security solutions. Our main products are Categorized as:

- Hotel Card Lock System
- Power Saver
- Safe Box
- Minibar
- Hairdryers, Mirrors and Personal Scales
- Hotel Amenities
- Bathroom Telephones
- Automatic Gates & Barriers
- Access Control & CCTV System
- Fingerprint & Time Attendance Systems
- Master Key

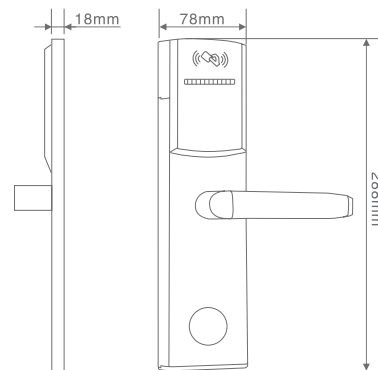
HONGLG series

Intelligent Electronic Lock
Simplicity And Tech-a



SUS 304

HK 5186



HK 518



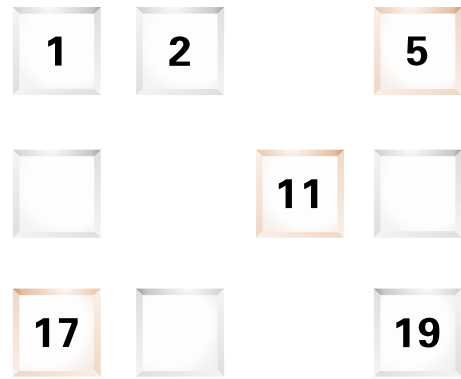
HD 5015



HD 5013



HD 5011



Feature

- ◆ Can achieve one card can using the hotel room and control elevator
- ◆ Right control: Entellective elevator telecontroller can control effectively different kinds of rooms' card to get different floors after authorized.
- ◆ Temporary card function: for the customer coming to visit
- ◆ Date functionality: It can keep records up to 4096 pieces.
- ◆ It can control total 16 floors elevators. If adding extended controller, it will control 96 floors elevators.
- ◆ The elevator controller has gone to sleep, security, usually work.
- ◆ Elevator controller has three working mode: sleep, safety and regular working.

Technical parameter

- ◆ Working electricity: From 12V to 5VDC 50W
- ◆ Rated current is: ≤300mA
- ◆ Working enviroment: From -35°C to 65°C
- ◆ Rj45 reading card's interface: 12VDC, 150 mA electricity.



ES 003 Reader

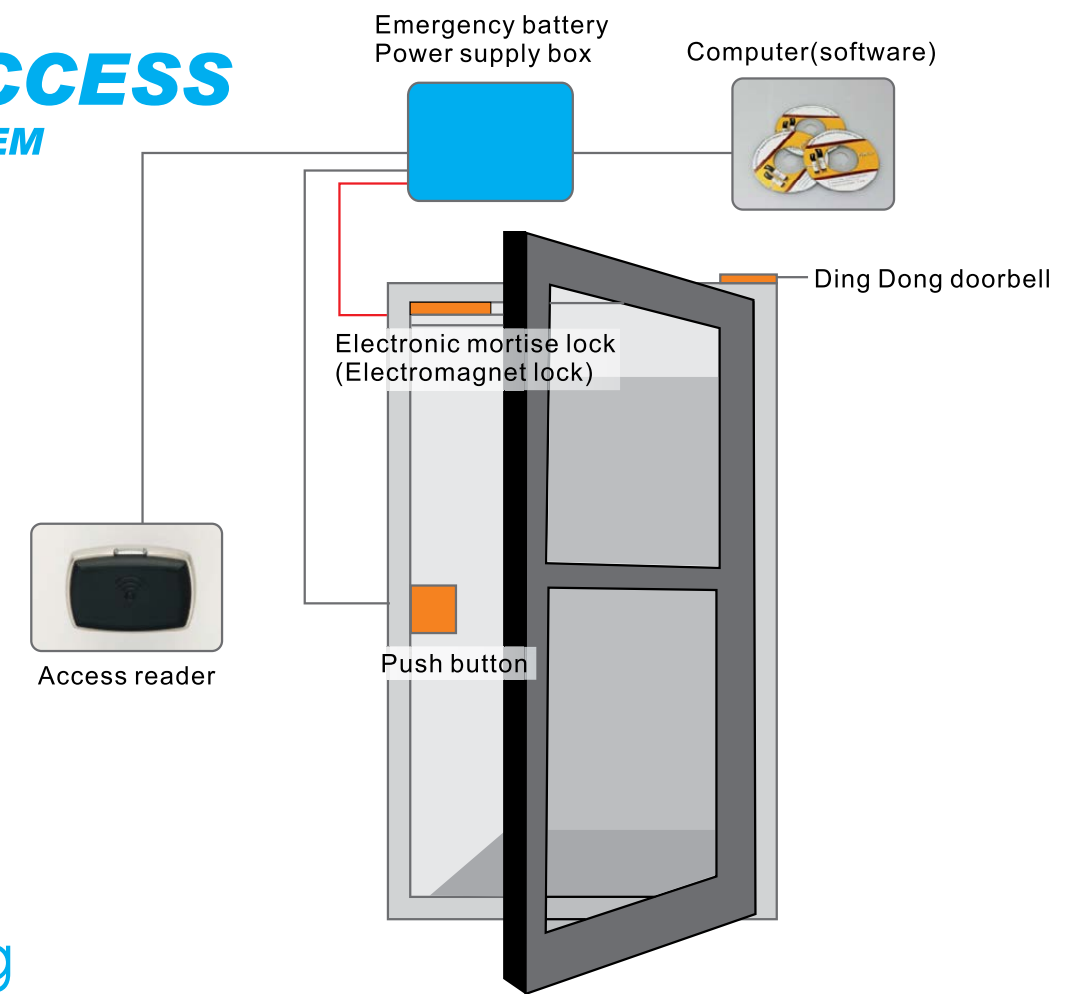


ES 001 Reader



Multiple Elevator control box

DOOR ACCESS CONTROL SYSTEM



Hotel Parking Controller





Al Andalus MiniBars
Economic convenience



Model: XC-38-1

NET CAPACITY : 40 L
 POWER : 60W
 VOLTAGE : 220V240-V
 ENERGY CONSUMPTION : 0.8kwh/24h
 NET WEIGHT : 16KGS
 GROSS WEIGHT : 18KGS
 SIZE : 435(W) X 455 (D) X 580 (H) MM
 CARTON SIZE : 475(W) X 495 (D) X 640 (H) MM
 COLOR OPTIONAL : BLACK ,WHITE ,BROWN
 DOOR : SOLID DOOR

Model: XC-38-1 (GLASS DOOR)

NET CAPACITY : 40 L
 POWER : 60W
 VOLTAGE : 220V240-V
 ENERGY CONSUMPTION : 0.8kwh/24h
 NET WEIGHT : 16KGS
 GROSS WEIGHT : 18KGS
 SIZE : 435(W) X 455 (D) X 580 (H) MM
 CARTON SIZE : 475(W) X 495 (D) X 640 (H) MM
 COLOR OPTIONAL : BLACK ,WHITE ,BROWN
 DOOR : GLASS DOOR



Model: ASHM

40 liters
 State of the art thermoelectric technology
 Adjustable thermostat for ideal temp control
 Auto defrost
 Reversible door
 Vibration free, only moving part is the fan.
 Adjustable leveling feet
 Design for 2L bottle door bracket
 Clean back design
 No compressor, low noise
 No refrigerant, environmental friendly
 Long life, easy maintenance





Features :

- Touch screen Digital with Mifare card type
- Secure control by owner & master card
- Permanent code or one-time code convertible
- LED light flash while in locked status
- Wrong code or illegal card alarm
- Anti-picked (prized) alarm
- Low battery alarm
- Fixed time to unlock automatically
- External power back up
- Zinc alloy material



keypad suana lock



MP-2001-E1 Lockers H01GB



Lockers H01GB



MP-2001-E03A



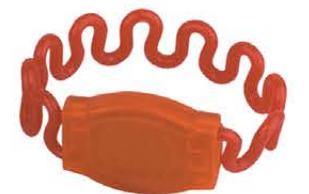
MP-2001-E04A



RF 515



Lock for Lockers

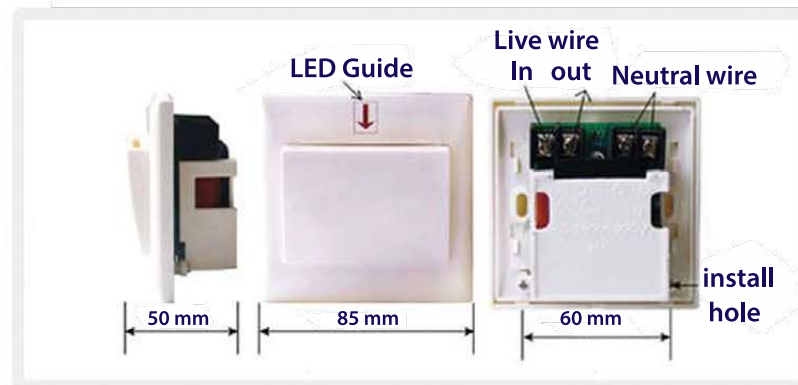


Rf key Waterproof



Power Saver Switch

When entering the rooms, the guests have to insert the room card into the Energy Saving Switch to turn on the illumination system. While leaving the room, the guest draws the room card; then the power supply will be shut off by the Energy Saving Switch about 15 seconds later. The delay function is very important in the Energy Saving Switch, without it, the guests have to leave the room in the dark.



Performance

- Card Type : MF - IC - RF - Mag
- Working Voltage : AC 220V ±%10
- Load Working Current : 30A
- Total Load Power : 6600W
- Static Consumption : 0.01W
- Delay Time : About 15 Seconds No-working Situation
- working Situation : Indicate in red
- Cover Material : Fire-resistant PC
- Color : White – silver Golden
- Weight : 200g
- Dimension : 85(L) x 85(W) x 42(H) mm



Color Options



Inside Switch



Outside Switch

Andalus doorbell system is described intelligent touch panel device of combination of doorbell and do not disturb and make up room signs in hotel guestrooms. Besides doorbell function, the system comprises means for allowing a hotel guest to choose, from within the room, a message to convey to hotel staff and others such as do not disturb or make up. The message is expressed by indicators housed within the touch panel located outside of the guestroom, which are visible clearly to passers-by even in the dark and in the same time it has door bell touch switch .



DS-100



IV-DB-A2



IV-DB-A1



MB 2045ZH

In- Room Safe Box Laptop 17 Inches:
Operated by Digital Keypad Lighted digital display unit until 8 digits. Automatic Door Opening.
Code combinations 10-1 numbers Audit Trail For Last 120 Opening Record, Hold 15 min in case of 3 times wrong try
Override Emergency key Power: 4 X AA Batteries for 10,000 operations.
Easy to fixed To the Wall Light on the door with 30 sec
Dimension: (H) 200 x (W) 450 x (D) 400 mm
Weight 14 Kg (Capacity 29 L)



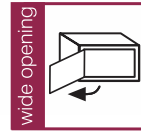
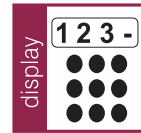
WIDE OPENING DOOR



Internal LEDS



Audit Trail



DG9150-D



DG7645-S



MC 2045



CH25-EA



CT-1340



DM-2045

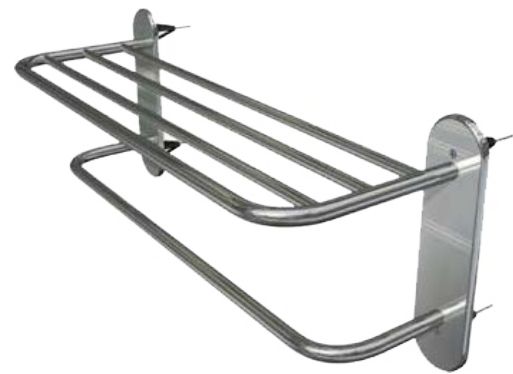




Cosmetic-Mirrors-MC-215



Mirrors with light MC-215-L



6003



01Y-1-B



RCY67220



RCY67430

Available in
(1200-1400-1600-1800) watt



RCY67260



PM610

Accessories



RS822



ES811



HS650



Retractable Clothes Line

Master keyed systems

Master keyed systems, the simple, economic solution for managing access to complex set ups such as hospitals, shopping centers, commercial offices, schools and universities. Al Andalus offers a vast range of cylinders compatible with different locks mortice, rim , panic exit devices, padlocks and micro-switch cylinders, so any kind of entrance can be controlled. Andalus also offers a comprehensive pre-sale and after sales service, including support and consultation.

Master key

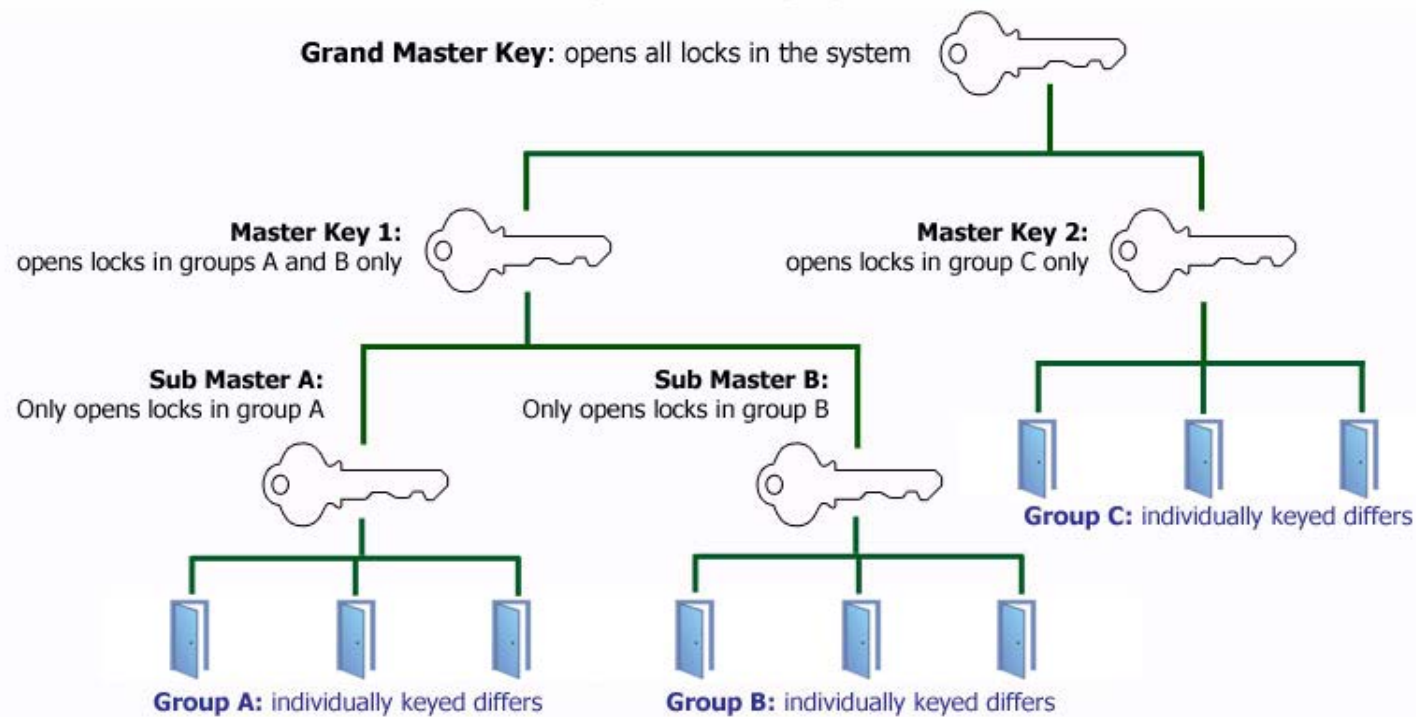
This is the term used generally to identify any system of cylinders which establishes a hierarchy of access, where certain keys will operate more than one cylinder.

Grand Master key

In many larger buildings or groups of buildings such as a university or a hospital, it would be totally impractical to provide a different cylinder for each and every door. Even within a single department the head of the department could become the custodian of hundreds of keys. Master keying is the means by which an organization can control who has access to which doors through the careful design and organization of the key profiles and pin arrangement of the cylinders within the system. A hierarchy of keys can be developed which allows access to individual doors, groups of doors, all the doors on.



MASTER KEY SYSTEM



Facelock 1-6618



HAP6026 Lock



HF 6613 Lock



DL 001



ML 002



ML 001



ML 003



ML 004

OA1000

Multimedia Fingerprint & RFID Terminal

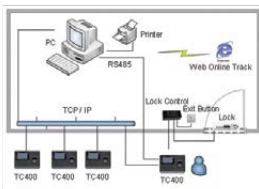
The new OA1000 has huge updated. The new optimized BioNANO fingerprint algorithm improved the verify speed 3-2times faster than OA1000. More advanced Circuit design provided Switch Port Protect, Transient Protection and anti-interference Protection. Make sure the OA1000 works as rock-solid. Meanwhile the new muddles such as WIFI, GPRS and Mifare reader will enrich OA1000 optional function. That's widely application for OA1000

- Samsung 3.5 inch industrial TFT LCD of high brightness
- Samsung 400MHz Arm9 high speed processor
- USA BioNano core algorithm platform (1:5000 less than 1 sec)
- Embedded WinCE 5.0 operating system
- Anviz new generation optical fingerprint sensor
- Waterproof, dustproof, scratchproof, unbreakable and durable
- Multiple identification method: fingerprint, card, fingerprint + card, ID + fingerprint, ID + password, card + password
- Customizable voice prompt and time attendance status. Display user picture, personal and public message
- User can select local language in the menu
- 1.3 million pixel camera, speaker, microphone, 1 USB and 1 RJ45 interface
- Support TCP/IP, RS485/232, USB Host, 2G TF card
- Optional new WIFI module 50-30 effective communication distance.
- Optional lower power LENO GPRS module. Support 850MZH, 900MZH, 1800MZH, 1900MZH
- Standard RFID card reader, optional Mifare or HID card reader
- Optional DAC844 access controller for separate type secure access control system
- Support realtime record download, online monitor, remote access control, and server identification etc



VF30 fingerprint access control

VF30 fingerprint access control and time attendance is a professional access control system developed for small to medium size businesses for security. It integrates fingerprint identification, RFID, burglar alarm, time attendance and access control functions etc., with fashionable and elegant appearance and reliable quality. It has high quality musical buzzer, multiple language display, user friendly interface and powerful communication function suitable for data management in various environments. It comes with functional background management software, compatible with various types of database. It supports time zone and group access control for high security level. It is versatile, convenient and multi-functional.



- Anviz technology with optical waterproof fingerprint sensor. Scratch-proof, unbreakable and durable. Well accept all kinds of fingerprints
- BioNano core algorithm platform of high performance and reliability
- New 2011 version algorithm with improved performance on wet and dry fingerprints. Support identification from different angles

T50M

Fingerprint Access Control

T50M is new generation of simple standalone access control. With metal case and waterproof cover high level of protection suitable for out door install. Latest T1 hardware platform of high performance, high-speed fingerprint identification can be easily realized. T50M has the most compact design in the world. Easy network management through RS485 or TCP/IP, adopts Anviz self-develops and designs touch active optical fingerprint sensor and BioNano core fingerprint algorithm. Powerful access control function with door open sensor, direct lock control.

- TI Stellaris® -32Bit High Speed CPU, Stable and reliable
- Metal case and waterproof cover high level of protection
- BioNano core fingerprint algorithm
- Stylish blue LCD. Musical buzzer
- Stand-alone without being connected with computer. Standard 1000 fingerprints.
- Standard 50000 records
- Multiple identification method: fingerprint only, ID + password, ID + fingerprint
- Standard RS485, Wiegand26 output, dry contact output, optional TCP/IP network interface
- Optional Anviz SC011 or DAC844 access controller for separate type secure access control
- Wall mounted. Combined -2in1- function for both time attendance and access control



W1-C

Standalone Access Control System

W-1C Waterproof Keypad/Reader/Controller

Metal shell, waterproof, Standalone with wiegand2000 ,26 users, Card, Pin, and Card+ Pin24-12V AC/DC

Feature :

- Waterproof, conforms to IP68
- Strong zinc alloy electroplated anti-vandal case
- Built-in one relay, NO, NC, COM
- 2000 users, supports card, PIN, card + PIN
- Pin length: 8-4 digits
- Card type: 125KHz EM card
- Can be used as a stand alone keypad
- Block enrollment, can enroll 2000 consecutive cards within 2 minute
- 24-12V AC/DC power input
- Wiegand26 bit output/ input
- Can be used as Wiegandreader to the controller
- Built in light dependent resistor (LDR) for anti tamper
- Built in buzzer
- Adjustable door relay output time, alarm time, door open time
- Door opening, door status detecting, open door by button
- Backlight keypad
- Red, yellow and green LEDS display the working status

Model W2 -Waterproof

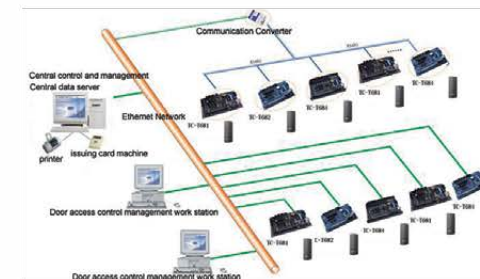
Standalone Proximity Card Reader

Feature:

- Standalone
- Up to 10000 users, support EM cards and tags
- Read range up to 10mm
- Waterproof, conforms to IP68
- Red, green, yellow LED indication, LED can be programmed to open or close
- With Wiegand26 input and output, can be worked as card reader or controller
- 2pcs W2 can be interconnected/interlocked
- Anti-passbackfunction
- 12V DC



TCP/IP Access Control System



Powerful combinations of access control and alarm monitoring within off-line networks. It fits any type of installations, up to 20,000 users, from single buildings to multiple sites spread over remote locations and linked via RS485, RS232 or TCP/IP. The user-friendly Access software programs the system within a few minutes, from a non-dedicated PC. Access Software provides numerous access control and alarm monitoring features: expiry date for clubs, automatic activation, interlock between two doors, time zones, supervision, anti-passback, activity reports and etc. Each alarm input is programmable: operating mode (NO or NC), time zones, local reflex (activation of outputs according to input status). Specific alarms are triggered according to the number of unsuccessful attempts, the time limit for door closing (door alarm), the duress code... Whenever required, the data stored in the controllers is transferred to the computer and activity reports are printed. Each controller works independently and keeps its own database.

EM-600LED

The EBELCO 600 series electromagnetic locks are renowned with its excellent holding force and the remarkable features. The series compliance to UL, CE and PSB Test are manufactured under the highest quality control to achieve the commitment to customer who always satisfied with maximum quality and reliability.

Specifications :

- Voltage Input : 12 VDC / 24 VDC
- Current Draw : 12V / 500mA ; 24V / 250mA (%5±)
- Holding Force : Up to 600 lbs (272 kg)
- Hall Effect Contact : SPDT rated 2A at 24 VDC
- Anti-Rust Surface Treatment : Blue Zinc Plating
- Operating Temperature : °55~0 C (°131~32 F)
- Operating Humidity : %95~0 (non condensing)
- Weight (Magnet) : 1.1 kg (%1±)
- zDimensions :
- Magnet – (L)250x(W)42x(T)25 mm
- Armature – (L)180x(W)38x(T)11 mm

EM1200D-LED

Specifications :

- Voltage Input : 12 VDC / 24 VDC (per Magnet)
- Current Draw : 12V / 500mA ; 24V / 250mA (%5±)
- Holding Force : Up to 1200 lbs x545) 2 kg x2)
- Hall Effect Contact : SPDT rated 2A at 24 VDC
- Anti-Rust Surface Treatment : Blue Zinc Plating
- Operating Temperature : °55~0 C (°131~32 F)
- Operating Humidity : %95~0 (non condensing)
- Weight (Magnet) : 5.0 kg (%1±)
- Dimensions :
- Magnet – (L)532x(W)67x(T)39 mm
- Armature – (L)185x(W)61x(T)16.5 mm

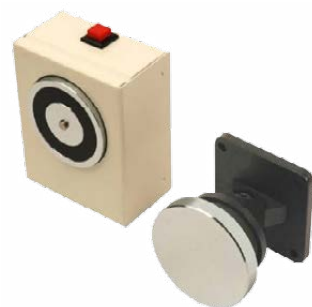
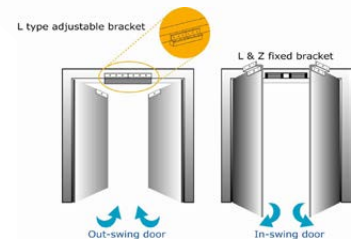
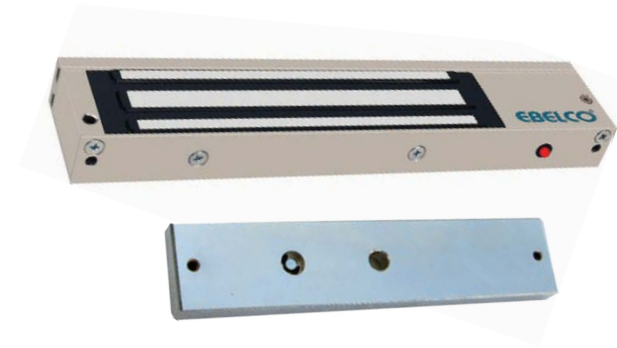
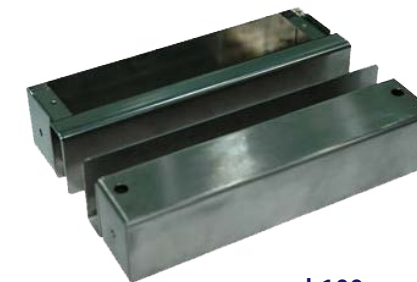


Drop Bolt Lock



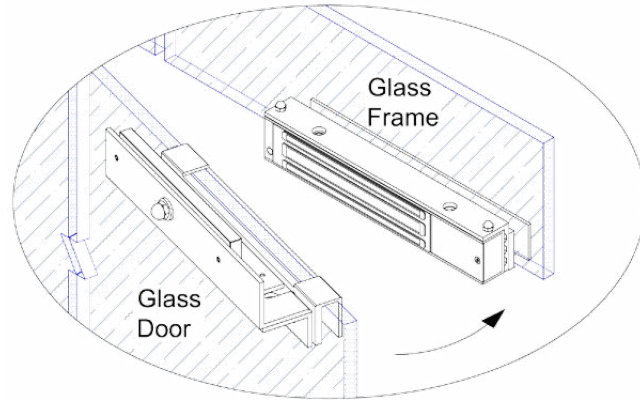
DB-300

- Voltage Input : 28~ 12 VDC
- Current Draw : 150mA (Standby) ; 900mA (Start)
- Locking Force : Up to 800KG
- Sensor Monitor Rating : 0.5Amp,30VAC/VDC max
- Gap Sensing Distance : 8mm
- Material : Solid S/Steel Φ16mm Bolt
- Operating Temperature : °55~0 C (°131~14 F)
- Operating Humidity : %90~0 (non condensing)
- Weight (Magnet) : 0.7 kg
- Dimensions :
- Face Plate – (L)205x(W)35x(H)40 mm
- Strike – (L)90x(W)25x(T)2 mm

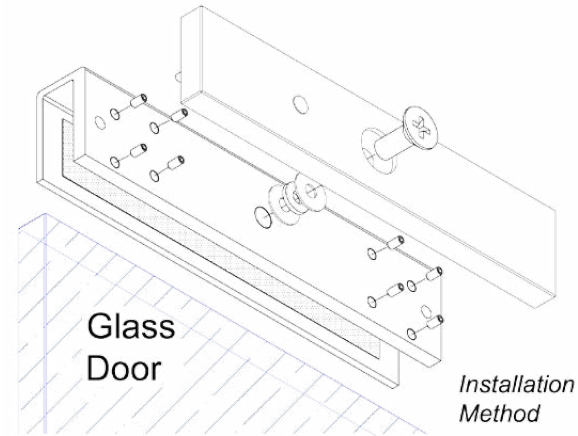




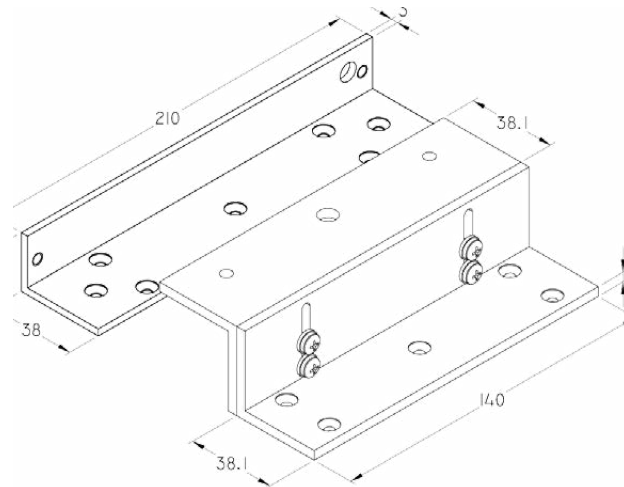
Dsu-600



U1-600



Zl-600d



Emergency Exit Button



Emergency Exit Button



Deb33ss



KS33L



Deb33abs

What is a Motion-Sensing Light?

A motion-sensing light is one that is activated by a motion sensor rather than by a conventional light switch. A motion-sensor can either replace conventional light switches or be placed onto an existing lighting fixture. While motion-sensing lights are normally associated with outdoor lighting applications, they are becoming increasingly popular indoors in places such as pantries, hallways, and backdoor rooms.

BENEFITS for the Environment

Motion-sensing lights are great for lighting areas that you only use briefly, since they only stay on as long as you need.

By automatically turning off after a few minutes, they prevent wasted electricity and help conserve energy resources. In fact, the top sources of energy in the US are fossil fuels, which are harmful to workers, pollute air and water, and contribute to global warming. By saving energy, you also save the environment from the detrimental effects of fossil fuels!

Ceiling Microwave Sensor Switch (KA-S02A)

Motion sensor specifications



Power source : 100V/AC130-V/AC,220V/AC240-V/AC
 Power frequency : 60/50Hz
 Rated load : 800W(130-100V/AC),1200W(240-220V/AC)
 Detection range : 360 degree
 Light control : <3LUX-daylight(adjustable)
 Time delay : 3±8sec to 2±7min(adjustable)
 Detection distance : diameter 8m(adjustable)
 Installation height : 4-2m
 Detection speed : 1.5-0.6m/s



Tangential
Ideal For movements at right angles to the sensor



Radial and tangential
Ideal for movements at right angles to and directly towards the sensor



Presence
Ideal for the tiniest of movements

Infrared Sensor Switch Series



KA-S20



KA-S20



KA-S22B

SRD1650-DC
16CH CIF Real-time H.264 Digital Video Recorder



Key Features

- 16CH CIF real-time DVR
- Up to 480(NTSC)/ 400(PAL)fps recording rate
- Max. 5 internal HDD (HDD x 5)
- PTZ control via coaxial cable [Samsung CCVC, Pelco-C (Coaxitron)]
- DVD-RW
- Support for smart phone

Accessory (Optional)



Dimensions Unit : mm (inch)



Technical Specifications

		SRD-1650DC
DISPLAY		
Video	Inputs	16 Composite video 0.5-1 Vp-p, 75 ohm automatic terminations
	Resolution	NTSC : 704 x 480 / PAL : 704 x 576
	Frame Rate	NTSC : 480fps / PAL : 400fps
Live	Resolution	NTSC : 704 x 480 / PAL : 704 x 576
	Multi Screen Display	1 / 4 / 6 / 8 / 9 / 13 / 16 / PIP
PERFORMANCE		
Operating System	Embedded	Linux
	Compression	H.264 NTSC : Up to 120fps@704 x 480 / PAL : Up to 100fps@704 x 576
Record Rate		NTSC : Up to 240fps@704 x 240 / PAL : Up to 200fps@704 x 288
		NTSC : Up to 480fps@352 x 240 / PAL : Up to 400fps@352 x 288
Recording Mode		NTSC: Manual Schedule (Continuous/Event), Event (Pre/Post)Time lapse (0.9/1.9/3.8/7.5/16/30fps)
		PAL: Manual Schedule ((Continuous/Event) Event (Pre/Post), Time lapse (0.8/1.6/3.1/6.2/12.5/25fps)
Overwrite Modes	Continuous	
	Pre-alarm	Up to 30sec (5, 10, 20, 30sec)
Search & Playback	Post-alarm	Up to 6hours (5, 10, 20, 30sec, 1, 3, 5, 10, 20min, 1, 2, 3, 4, 5, 6hour)
	Search Mode	Date/Time, Event, Back up, Pos, Motion (*All searches include preview function)
Playback Functions		Fast forward / backward, Slow forward/backward, Step forward/backward
	Transmission Speed	CIF 480/400fps
Bandwidth		Up to 8Mbps, Unlimited (8M)/2/1.5/800/600/500/400/300/200/100/50kbps
	Bandwidth Control	Selectable
Network Stream		H.264 (4CIF/ 2CIF/ CIF Selectable)
	Max. Remote Users	Search 3 / Live unicast 10/ Live multicast 20
Protocol Support		TCP/IP, DHCP, PPPoE, SMTP, NTP, HTTP, DDNS, RTP, RTSP
	Monitoring	Net-I viewer, Smartviewer, Webviewer
Smart Phone	Smart Phone	Android, I-phone
	Protocol Support	RTS/RTP (UDP), CGI, HTTP
Transmission Speed	Wi-fi: CIF Max 4fps (Single Channel) / CIF Max 4fps (Quad Channel)	
	3G: CIF Max 4fps (Single Channel) / CIF Max 4fps (Quad Channel)	
Max. Remote Users		Live 1
	Internal HDD	Up to 5 SATA HDD's
External HDD		Up to 2 expansion bay (Up to 4HDD each)
	DVD Writer (Back up)	Yes
USB (Back up)		3 USB Ports
	File Format(Back up)	AVI, BU, (DVR Player), EXE (include player)
Password Protection		1Admin, 10group, 20user per 1group User can be assigned authority for function
	Date Authentication	Watermark
INTERFACE		
Monitors	VGA	1VGA (800x600, 1024x768, 1280x1024)
	HDMI	480p/720p/1080p resolution
Main Composite		1BNC, 1 Vp-p, 75ohm
	Spot Composite	Digital Spot (1BNC, 1 Vp-p, 75ohm) support multi screen & camera title
Loop Outputs		16
	Inputs/ Outputs	16CH line in (Built-in 4CH, option: audio extension cable) 1CH line out
Compression		ADPCM
	Sampling Rate	16Khz
Inputs/ Outputs		Terminal 16 inputs (NO/NC)/Terminal 4 relay outputs (NO/NC)
	Rating:	30V DC/2A, 125V AC/0.5A
Remote Notification		Notification via e-mail
	Ethernet	1RJ-45 10/100/1000 Base-T
Serial Interface		RS-232/RS-485 for PTZ, Samsung system keyboard
	USB	USB 2.0, 3ports
eSATA		2 External SATA ports
	Application Support	Mouse, remote controller
Protocol Support		Samsung-T/E, Pelco-D/P, Panasonic, Phillips, AD
		Diamond, ERNA, KALATEL, VCL, TP, Vicon
GENERAL		PTZ control via coaxial cable (Samsung CCVC, Pelco-C Coaxitron)
	Input Voltage/Current	100~240V AC ± 10%, 50/60Hz, autoranging
Power Consumption		Max 60W (With 1x HDD)
	Operating Temp/Humidity	+0°C ~ +40°C (+32°F ~ +104°F) / 20% ~85% RH
Dimensions (WxHxD)		440.0x88.0x426.8mm (17.32"x3.46"x16.80")
	Weight (With Hard Disks)	Approx. 7.5kg (16.53lb)
Rack Mount Kit		2ea
		Korean, Japanese, Chinese, English, French, German, Spanish, Italian, Russian, Polish, Czech, Turkish, Portuguese, Swedish, Danish, Thailand, Romanian, Serbian, Croatian, Hungarian, Greek (22 Language)



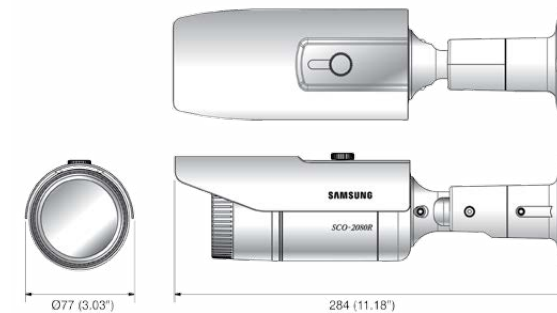
SCO2080-R
1/3 High Resolution Weatherproof IR Camera



Key Features

- High resolution of 600TV Lines (Color), 700TV lines (B/W)
- Min. Illumination 0Lux (IR LED on), IR Distance 50m
- Built-in V/F lens (2.8 ~ 10mm),
- True Day / Night (ICR), MD, SSNRIII
- IP66, Coax: PELCO-C (Coaxitron), RS-485
- Dual Power, 24V AC & 12V DC

Dimensions Unit : mm (inch)



Technical Specifications

	SCO-2080RN	SCO-2080RP
VIDEO		
Imaging Device	1/3" Super HAD CCD	
Total Pixels	811 (H) x 508 (V)	795 (H) x 596 (V)
Effective Pixels	768 (H) x 494 (V)	752 (H) x 582 (V)
Scanning System	2:1 interlace	
Synchronization	Internal / Line Lock	
Frequency	H: 15.734 Khz / V: 59.94Hz	H: 15.625Khz/ V: 50Hz
Horizontal Resolution	Color: 600TV lines, B/W: 700TV lines	
Min. Illumination	Color: 0.15Lux@F1.2 (50IRE), 0.0003Lux (Sens-up, 512x) B/W: 0Lux (IR LED on)	
S/N Ratio	52Db (AGC off, Weight on)	
Video Output	CVBS: 1.0 Vp-p/75 composite	
LENS		
Focal Length (Zoom Ratio)	2.8 ~ 10mm (V/F, 3.6x)	
Max. Aperture Ratio	1: 1.2 (Wide) ~ 2.8 (Tele)	
Angular Field of View	H: 94.4° (Wide) ~ 28° (Tele) / V: 69.2°(Wide) ~ 21° (Tele)	
Min. object distance	0.2m (0.66ft)	
Focus Control	Manual	
Lens Type	DC auto iris	
OPERATIONAL		
On Screen Display	English, Japanese, Spanish, French, Portuguese, Taiwanese, Korean	English, French, German, Spanish, Italian, Chinese, Russian, Polish, Czech, Romanian, Serbian, Swedish, Danish, Turkish, Portuguese
Camera Title	Off/On (Displayed 15 characters)	
Day & Night	Auto (ICR) / Color/ BW	
Backlight Compensation	BLC/HLC/Off	
Contrast Enhancement	SSDR (Off/On)	
Digital Noise Reduction	SSNRIII (Off/On)	
Digital Image Stabilization	Off/On	
Motion Detection	Off/On (8 programmable zones)	
Privacy Masking	Off/On (12 programmable zones)	
Sens-up (Frame Integration)	2x ~ 512x	
Gain control	Off/Low/High	
White balance	ATW/Outdoor/Indoor/Manual/AWC (1,700K° ~ 11,000K°)	
Electronic Shutter Speed	1/60 ~ 1/120,000 sec	1/50 ~ 1/120,000 sec
Digital Zoom	Off/On (1x ~ 16x)	
Flip	Vertical/Horizontal	
Communication	Coaxial control, RS-485	
Protocol	Coax: Pelco-C (coaxitron) RS-485: Samsung - T/E, Pelco-D/P, Panasonic, Bosch, Honeywell, Vicon	
IR Distance	50m (850nm IR LED: 32ea)	
ENVIRONMENTAL		
Operating Temp/Humidity	-10°C ~ +50°C (+14°F ~ +122°F) / Up to 100% RH	
Ingress Protection	IP66	
ELECTRICAL		
Input Voltage	Dual (24V AC & 12V DC ± 10%)	
Power Consumption	Max 6.8W / 6.5W (IR LED on)	
MECHANICAL		
Color/Material	Dark gray / ALDC	
Dimensions (WxHxD)	ø77.0 x 216.0mm (ø3.03"x8.5") (Bracket angle 90°), 284.0mm (11.18") (Bracket angle 180°)	
Weight	1kg (2.2lb)	

SCD2020-R
High Resolution Small IR Dome Camera



Technical Specifications

	SCD-2020RN	SCD-2020RP
VIDEO		
Imaging Device	1/3" Super HAD CCD II	
Total Pixels	811(H) x 508(V)	795 (H) x 596 (V)
Effective Pixels	768(H) x 494(V)	752 (H) x 582 (V)
Scanning System	2:1 interface	
Synchronization	Internal	
Frequency	H: 15.734 Khz / V: 59.94Hz	H: 15.625Khz/ V: 50Hz
Horizontal Resolution	Color: 600TV lines, B/W: 700TV lines	
Min. Illumination	Color: 0.15Lux@F1.2 (50IRE), B/W: 0Lux (IR LED on)	
S / N Ratio	52Db (AGC off, Weight on)	
Video Output	CVBS: 1.0 Vp-p/75 composite	
LENS		
Focal Length (Zoom Ratio)	3.6mm	
Max. Aperture Ratio	F2.0	
Angular Field of View	H: 66° / V: 49°	
Min. object distance	0.4m (1.31ft)	
Lens Type	Fixed	
Mount Type	Board type	
PAN/TILT		
Pan Range	0° ~ 352°	
Tilt Range	0° ~ 75°	
OPERATIONAL		
On Screen Display	English, Japanese, Spanish, French Portuguese, Taiwanese, Korean	English, French, German, Spanish, Italian, Chinese, Russian, Polish, Czech, Romanian, Serbian, Swedish, Danish, Turkish, Portuguese
Camera Title	Off/On (Displayed 15 characters)	
Day & Night	Auto (ICR) / Color/ BW	
Backlight Compensation	BLC/HLC/Off	
Contrast Enhancement	SSDR (Off/On)	
Digital Noise Reduction	SSNRIII (Off/On)	
Digital Image Stabilization	Off/On	
Motion Detection	Off/On (8 programmable zones)	
Privacy Masking	Off/On (12 programmable zones)	
Sens-up (Frame Integration)	2x~512x	
Gain Control	Off / Low / High	
White balance	ATW/Outdoor/Indoor/Manual/AWC (1,700K° ~ 11,000K°)	
Electronic Shutter Speed	1/60 ~ 1/120,000 sec	1/50 ~ 1/120,000 sec
Digital Zoom	Off/On (1x ~ 16x)	
Reverse	H-Rev (Off/On) / V-Rev (Off/On)	
Communication	Coaxial control (SPC-300 compatible)	
Protocol	Coax: Pelco-C (coaxitron)	
IR Distance	7m (IR LED 8ea)	
ENVIRONMENTAL		
Operating Temp/Humidity	-10°C ~ +50°C (+14°F ~ +122°F) / Less than 90% RH	
ELECTRICAL		
Input Voltage / Current	12V DC ± 10%	
Power Consumption	Max 2.5W	
MECHANICAL		
Color/Material	Ivory/Plastic (Dome cover: clear)	
Dimensions (WxH)	ø107.6 x 83.7mm (ø4.24"x3.3")	
Weight	280g (0.62lb)	

*The latest product informaton / specification can be found at www.samsungsecurity.com



Key Features

- High resolution of 600TV lines (Color), 700TV lines (B/W)
- Min. illumination 0Lux (IR LED on), IR distance 7m
- Built-in fixed lens (3.6mm), SSSNRIII
- Coax : PELCO-C (Coaxitron), 12V DC

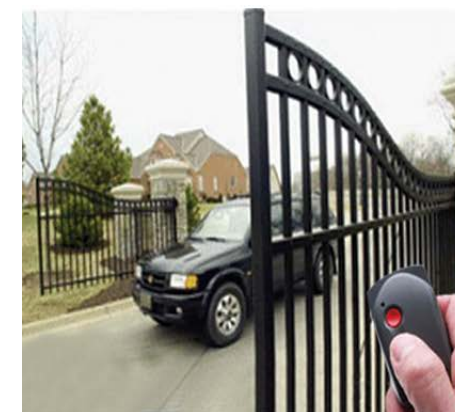
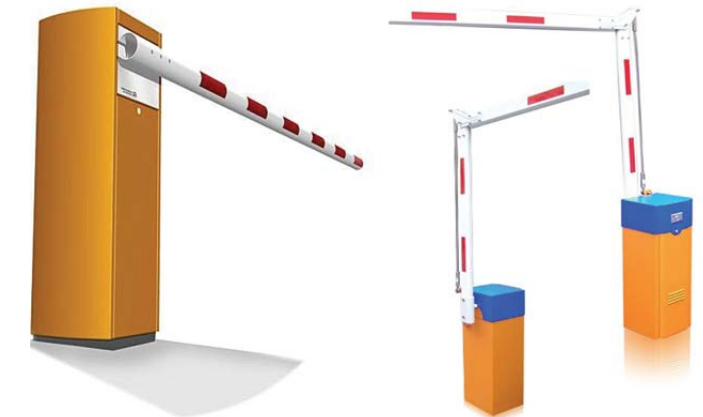
Dimensions Unit : mm (inch)



Barrier and Automatic Gate installation & repair

We offer our gate repair services to commercial and residential customers. We can help clients with big and small projects – from replacing a garage gate to installing multiple gates on newly built homes. Some of our most popular customers happen to work in remodeling and real estate businesses. Whether you're renting or own a business or house, take down our number. You never know when an emergency may come into play. One of our technicians will gladly come out to assist you. You'll never regret the quotes we give you because we offer quality services and products at rates that are unbeatable.

- Gate repair and installation
- Gate motor repair and installation
- Gate opener installation and repair
- Swing gate repair and installation
- Driveway gate repair and installation
- Sliding gate repair and installation
- Garage gate repair and installation
- Gate intercom installation and repair
- And much more



Automatic Gates



Automatic Garage Doors



Automatic Sliding Doors



Comfort in style

We are specialized in fine quality higher thread count beddings which come to you in an excellent variety.

Our major products include;

- Sheet sets (cuffed, hemstitch styles, embroidered)
- Bed skirts ruffled and pleated
- Quilt covers, sham, comforters, neck rolls and decorative cushions.
- Bed sheets, pillows, mattress protectors.
- Comforters, duvets, duvet covers and bed throws.
- 100% cotton terry towels including bath towels, hand towels and face towels.
- Pool towels, bath sheets, bath mats, bath robes and shower curtains.

Colors From Nature

Our fabric is woven with tender care and dyed in brilliant shades of nature.

Also adds elegance, possess production facilities in made ups and fabrics for various consumer needs.



